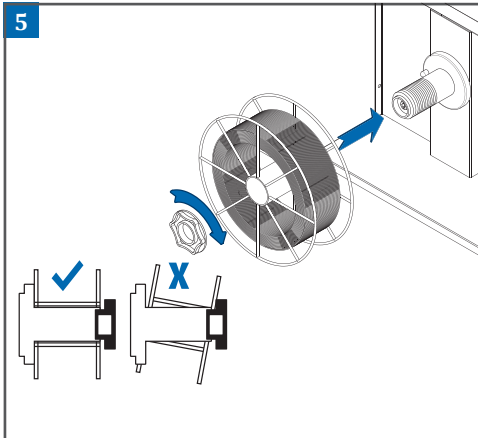
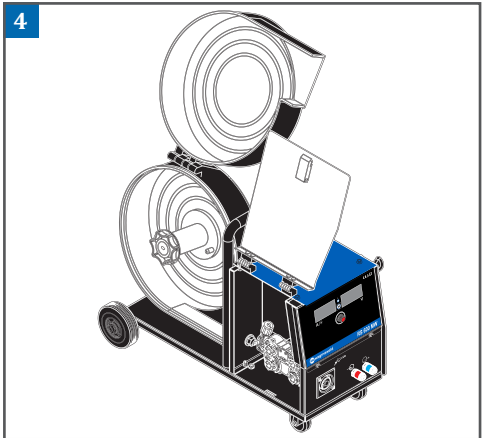
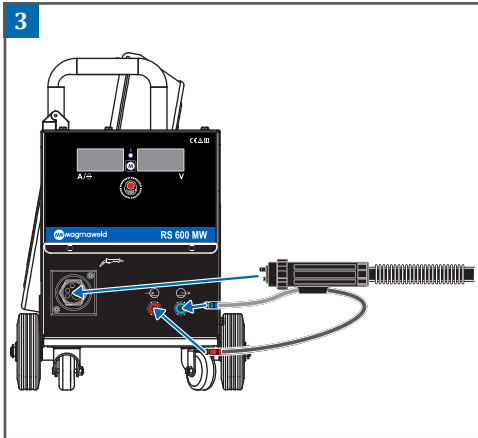
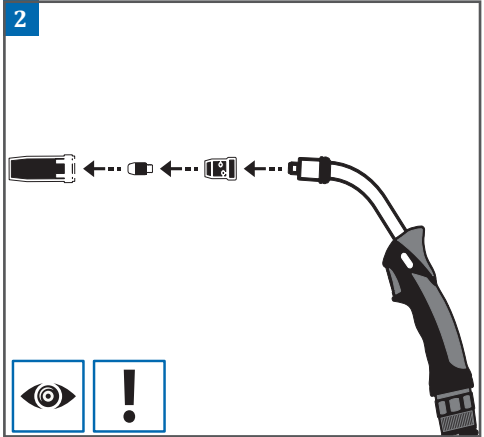
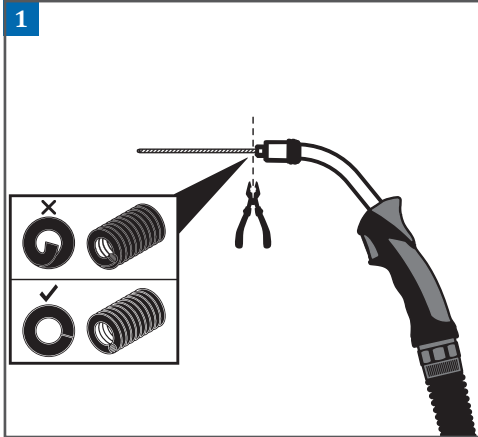


## QUICK START RS 600 MW



(+90) 444 93 53  
magmaweld.com  
info@magmaweld.com

 (+90) 538 927 12 62



6

Type	Definition	Size	Code
V	Steel	0.8-1.0 mm	Green, Yellow
V	Steel	1.0-1.2 mm	Yellow, Red
V	Steel	1.2-1.6 mm	Red, Orange
V	Steel	2.0-2.4 mm	Cyan, Black
U	Al	0.8-1.0 mm	Green, Yellow
U	Al	1.0-1.2 mm	Yellow, Red
U	Al	1.2-1.6 mm	Red, Orange
U	Al	2.0-2.4 mm	Cyan, Black
FCW	FCW	1.0-1.2 mm	Green, Red, Black
FCW	FCW	1.2-1.6 mm	Red, Orange, Black
FCW	FCW	2.0-2.4 mm	Cyan, Black

